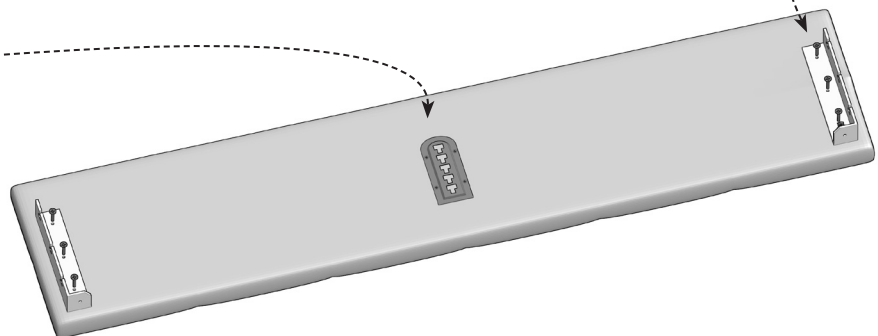
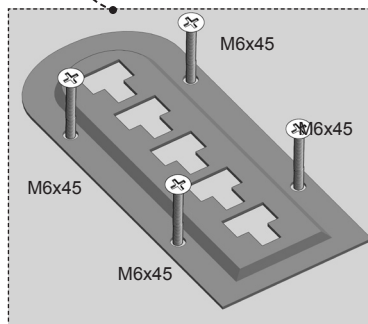
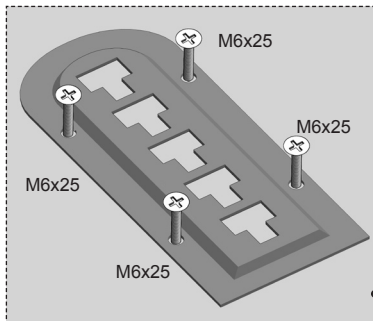
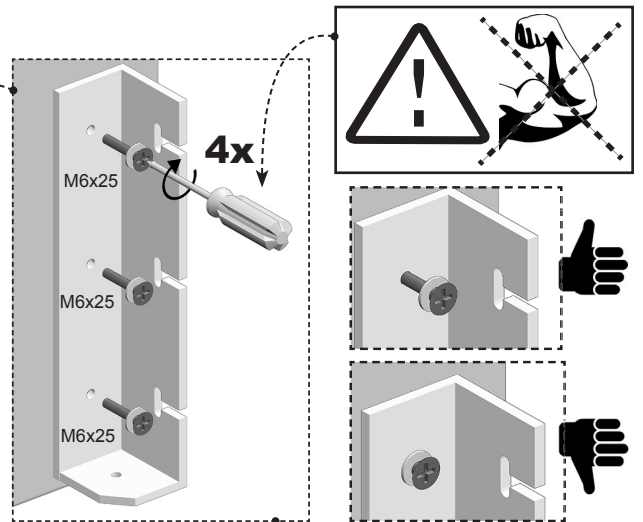
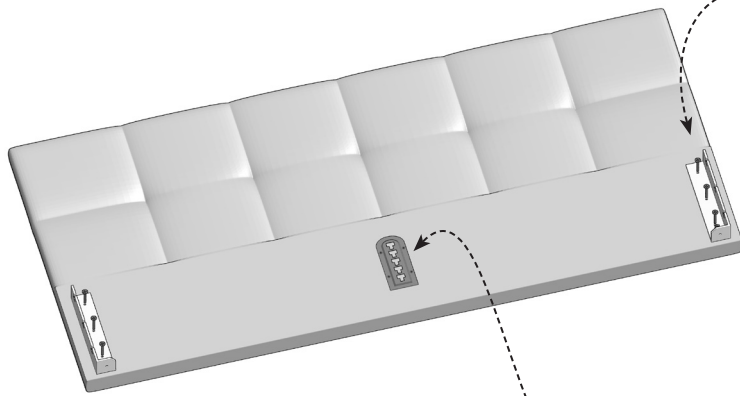
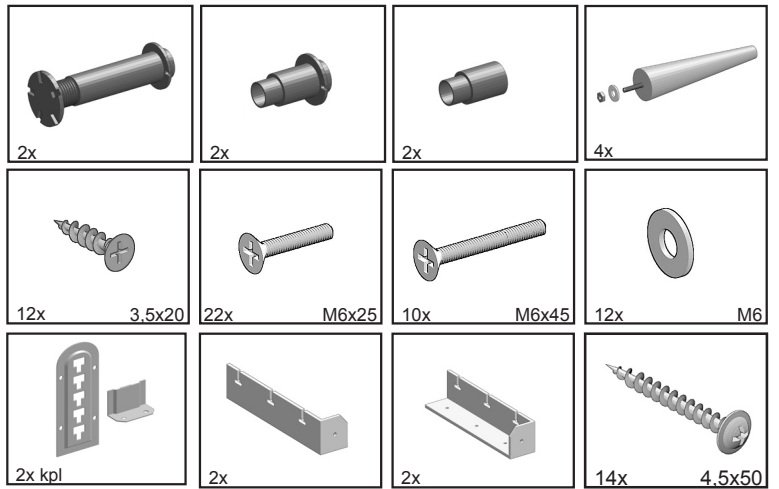
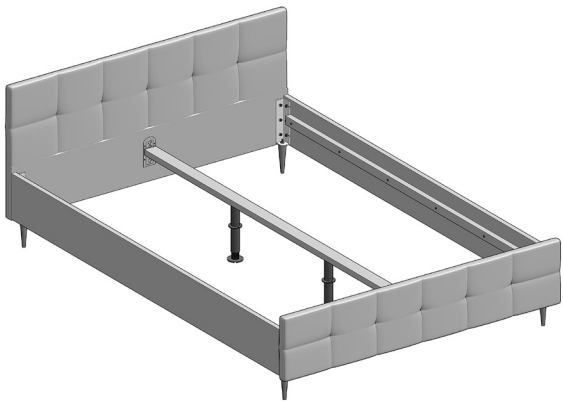


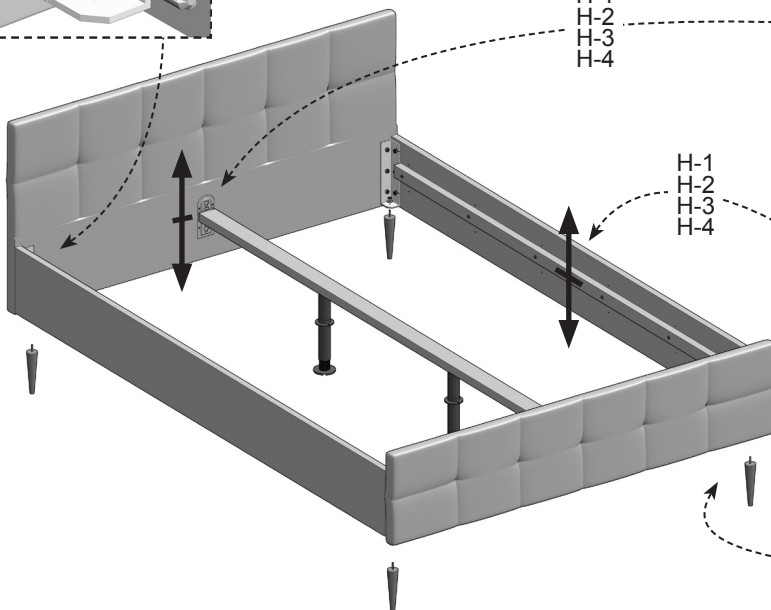
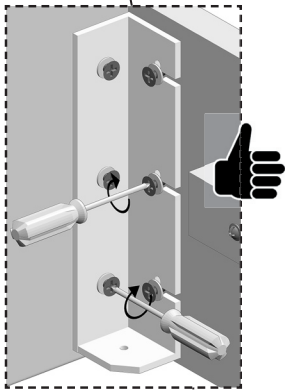
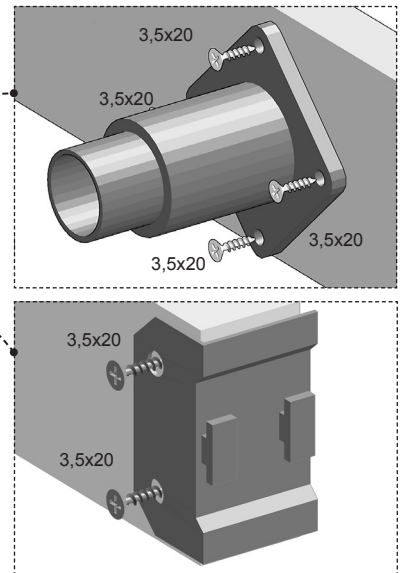
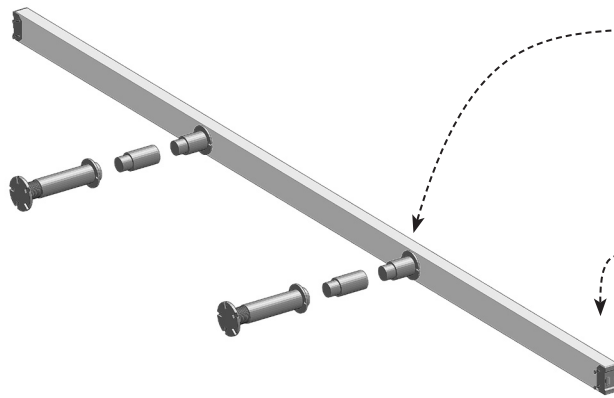
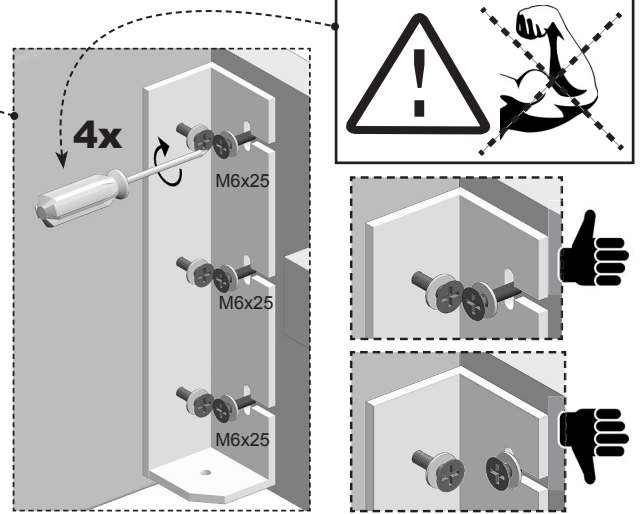
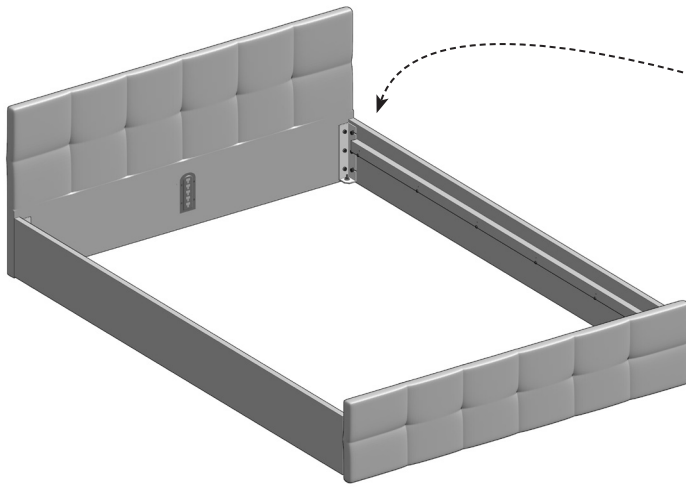
# UPHOLSTERED BED

30112020



# UPHOLSTERED BED

30112020



H-1  
H-2  
H-3  
H-4

H-1  
H-2  
H-3  
H-4

